

MEETINGS

The Bolger Center offers premier meeting facilities and event venues in a distraction-free setting. Our surroundings facilitate training, learning, and teaching with 75 spacious meeting rooms. We also offer ballrooms, boardrooms and computer labs. We provide clients with innovative solutions to produce inspiring meetings and to help cultivate a solid learning environment. From our dedicated meeting planners, artful catering, and superb meeting packages, we strive to create an exceptional experience.

We offer an array of inclusive packages available at any given time. No matter what plan you choose, all the elements for a successful meeting are combined into one convenient, easy-to-budget package rate.

Packages include:

- Complete Meeting Package
- Day Meeting Package
- Modified Meeting Package
- Government Meeting Package

CAPACITY CHART

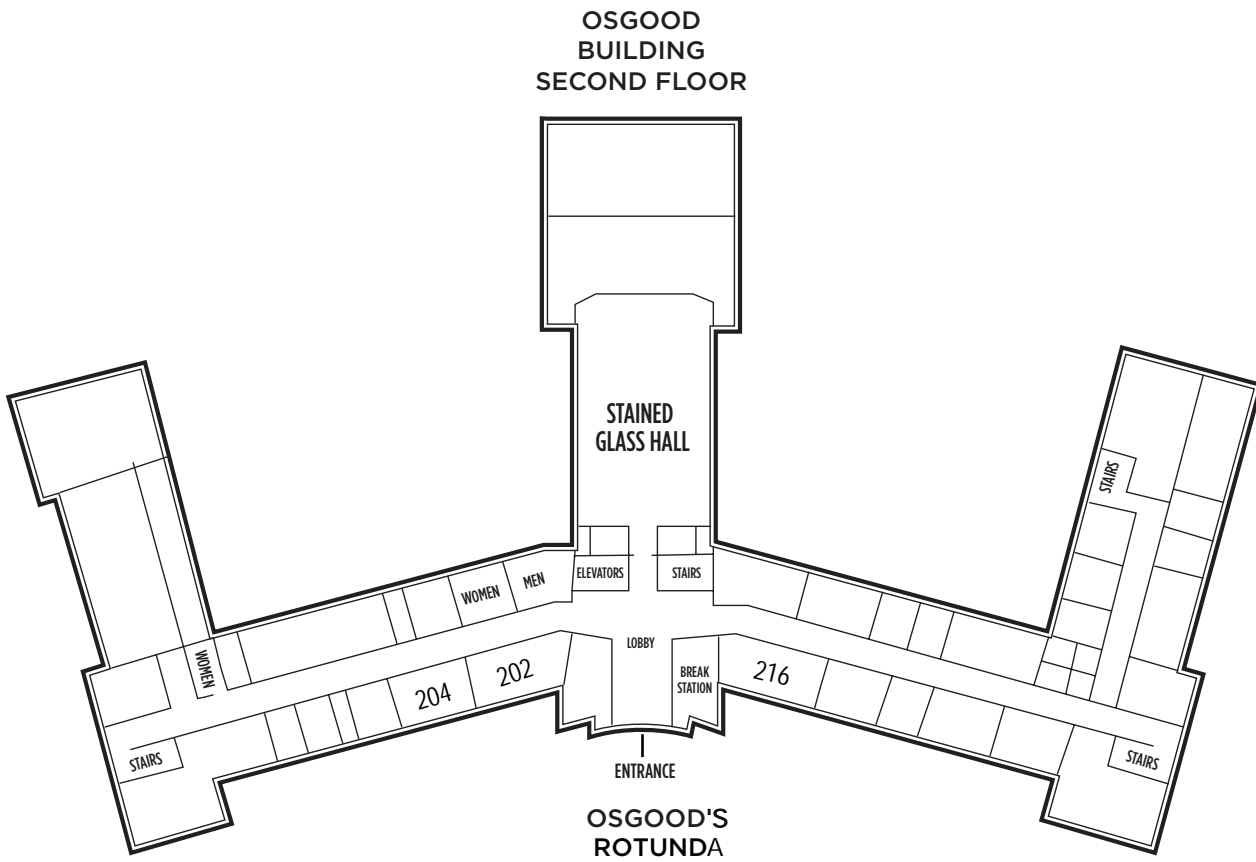
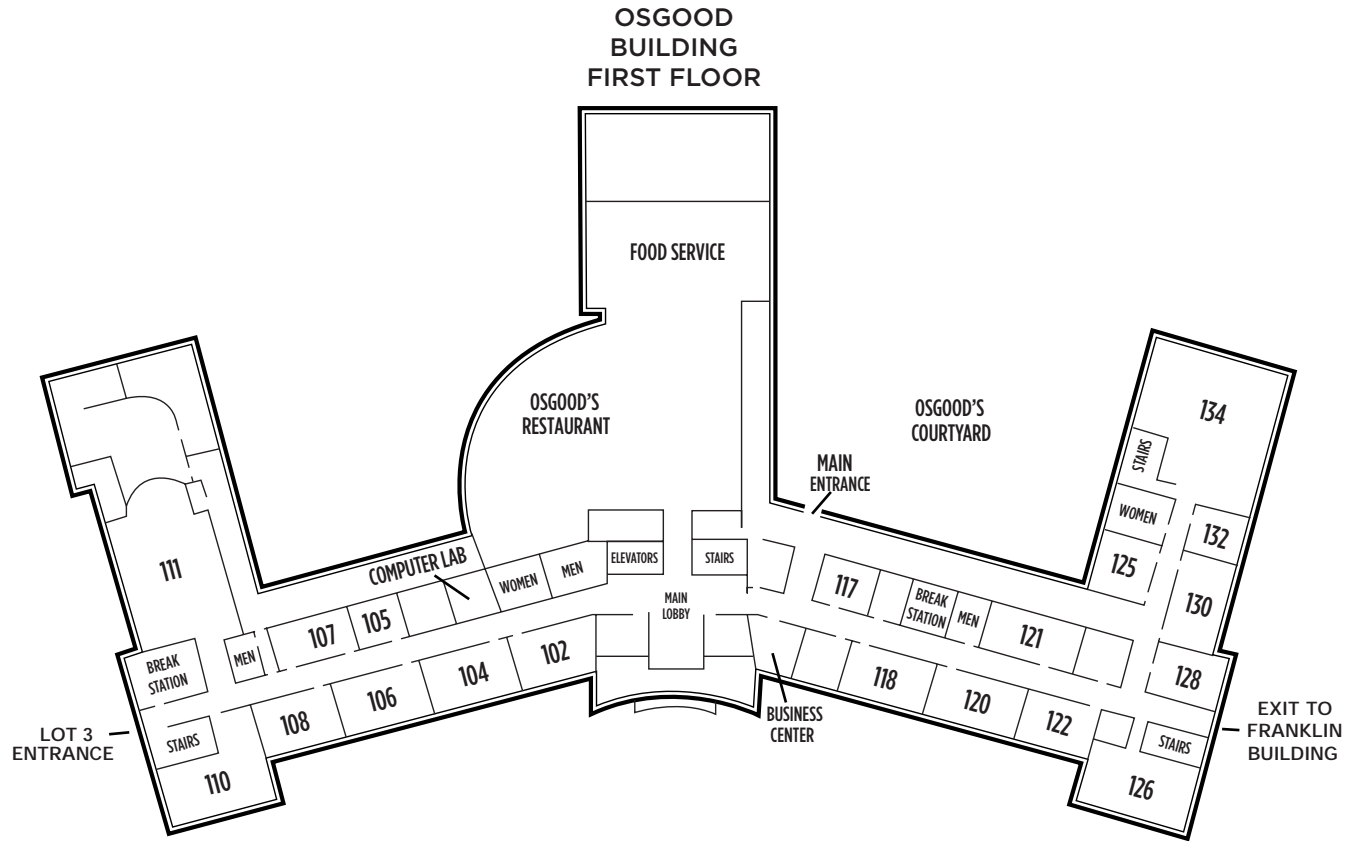


	Sq. Ft.	Size	Ceiling	Classroom	Theater	Banquet	Reception	Conference	U-Shape	H-Square
FRANKLIN BUILDING Approx.										
Benjamin Franklin Hall	7,154	73x98	15	330	460	350	500	50	70	90
Franklin Courtyard	3,000	-	-	-	-	-	-	-	-	-
Franklin Terrace Room (F21)	2,146	37x58	9	30	60	60	100	28	28	32
F 1	1,960	35x56	9	45	86	60	90	24	42	50
F 3, 4, 15/16, 17A/B, 18/19	1,785	35x51	9	60	86	60	90	24	42	50
F 9A/B	1,456	26x56	8	50	70	60	80	24	36	40
F 6	1,250	25x50	9	25	30	40	50	22	25	30
F 22, 23	1,036	28x37	8	30	40	50	60	20	28	32
F 14, 15, 16, 17A, 17B, 18, 19	875	35x25	9	30	40	30	40	20	24	28
F 5, 20	875	25x35	9	20	30	30	35	20	15	20
F 9A, 9B	728	26x28	8	25	35	30	40	12	18	20
F 5A	525	21x25	9	10	20	20	25	12	10	12
F 2C	300	12x25	9	-	-	-	-	15	-	-
F 2A, 2B	252	12x21	9	-	-	-	-	12	-	-
F 8A, 8B	169	13x13	8	-	-	-	-	10	-	-
F 7C, 7D, 7E, 10B, 10C, 10D, 11C, 12A, 12B, 12C	160	10x16	8	-	-	-	-	8	-	-

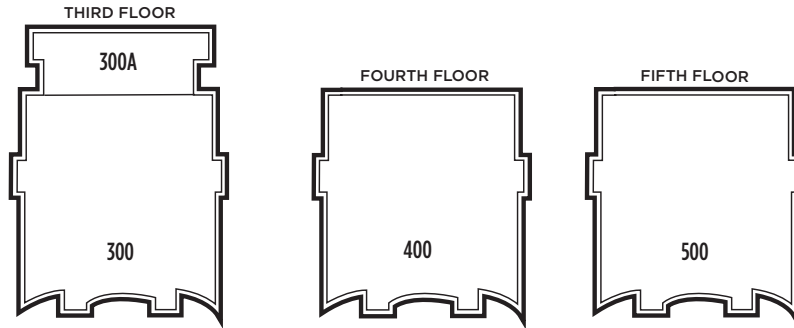
OSGOOD BUILDING Approx.										
Stained Glass Hall	3,552	37x96	26	120	250	150	225	40	50	60
Osgood's Courtyard	3,500	-	-	-	-	-	-	-	-	-
O 500	1,672	38x44	8	30	60	40	60	20	24	28
O 111	1,456	28x52	10	60	80	60	125	24	28	32
O 134	1,482	38x39	11	32	60	50	80	24	28	30
O 300, 400	968	22x44	9	30	50	40	50	24	20	30
O 110, 126	551	19x29	10	18	30	20	25	16	18	20
O 121	495	15x33	10	14	20	24	20	12	14	16
O 102, 104, 106, 108, 118, 120, 122, 130	450	15x30	10	14	20	24	20	12	14	16
O 202, 216	450	15x30	9	14	20	24	20	12	14	16
O 300A	429	13x33	10	-	20	20	30	12	-	14
O 107	405	15x27	10	14	20	24	20	12	14	16
O 204	390	15x26	9	12	18	20	18	10	12	14
O 125	345	15x23	10	12	18	20	18	10	12	14
O 128	294	14x21	10	12	18	20	18	10	12	14
O 105	255	15x17	10	-	-	8	-	6	-	-
O 117, 132	240	15x16	10	-	-	8	-	6	-	-

HOTEL CHECK-IN BUILDING Approx.										
Pony Express Patio	4,550	70x65	-	-	-	125	250	-	-	-
Pony Express Bar & Grill	4,375	35x125	9	-	-	125	200	-	-	-
Overland Room	1,496	34x44	13	60	80	80	100	24	40	46
Owney's Fireplace Lounge	1,265	23x55	13	-	-	-	60	-	-	-
Upper Pony Express	899	31x29	11	-	-	30	50	-	-	-

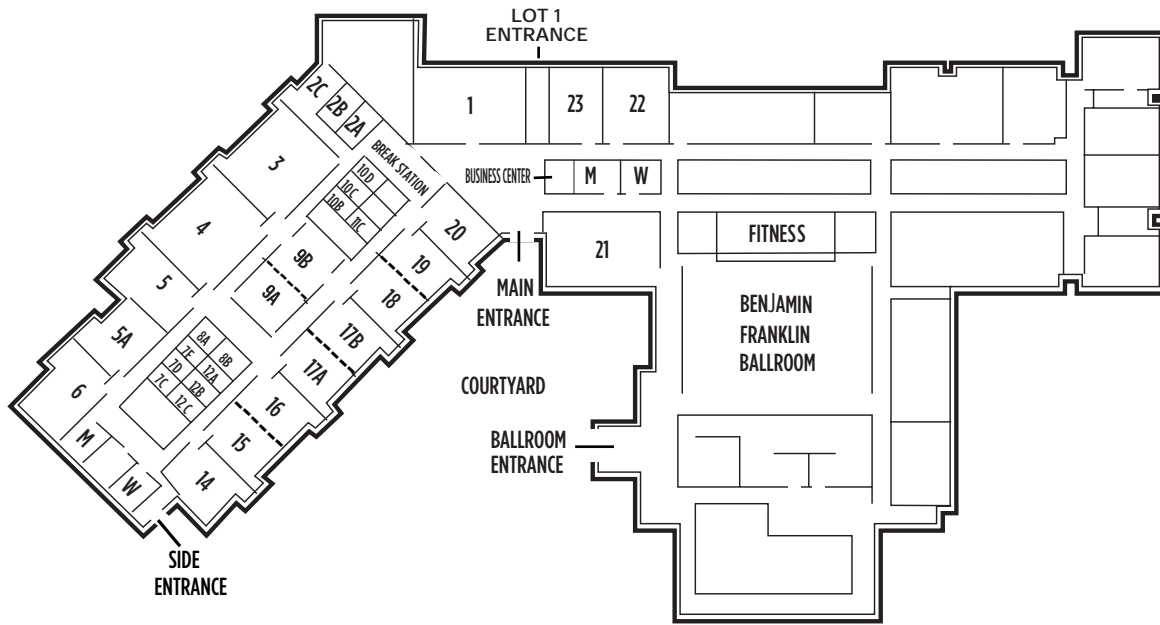
CONFERENCE CENTER



OSGOOD BUILDING



FRANKLIN BUILDING



HOTEL CHECK-IN BUILDING

